



Cambridge International Examinations
Cambridge International General Certificate of Secondary Education

COMPUTER SCIENCE

0478/13

Paper 1

May/June 2016

MARK SCHEME

Maximum Mark: 75

Published

This mark scheme is published as an aid to teachers and candidates, to indicate the requirements of the examination. It shows the basis on which Examiners were instructed to award marks. It does not indicate the details of the discussions that took place at an Examiners' meeting before marking began, which would have considered the acceptability of alternative answers.

Mark schemes should be read in conjunction with the question paper and the Principal Examiner Report for Teachers.

Cambridge will not enter into discussions about these mark schemes.

Cambridge is publishing the mark schemes for the May/June 2016 series for most Cambridge IGCSE[®], Cambridge International A and AS Level components and some Cambridge O Level components.

© IGCSE is the registered trademark of Cambridge International Examinations.

This syllabus is approved for use in England, Wales and Northern Ireland as a Cambridge International Level 1/Level 2 Certificate.

This document consists of **10** printed pages.

Page 2	Mark Scheme	Syllabus	Paper
	Cambridge IGCSE – May/June 2016	0478	13

1 1 mark for each correct column

Software feature	Free	Freeware	Shareware
Software source code can be freely accessed and modified as required	✓		
All the features of the full version of the software are not made available; the full version needs to be purchased first			✓
The original software is subject to all of the copyright laws		✓	✓
It is possible to distribute modified versions or copies of the software to friends and family	✓		

(1 mark) (1 mark) (1 mark)

[3]

2 (a) **media access control**

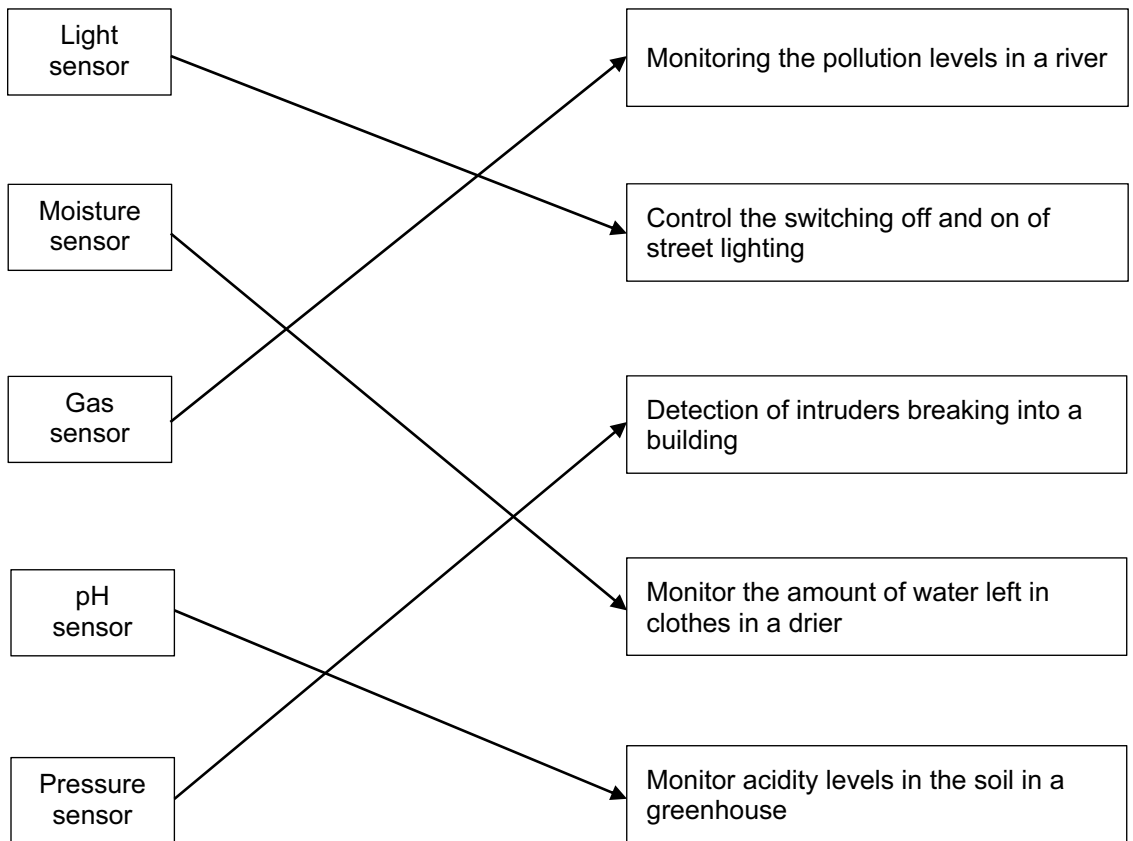
[1]

(b) Any **three** from:

- hardware/physical address
- unique address/number associated (with network card in) a device/computer
- usually 48/64 bits (12/16 hex digits)
- first 6/8 digits = manufacturer code/ID of device (NIC)
- last 6/8 digits = serial number of device (NIC)

[3]

3 (a)



- 4/5 matches – 4 marks
- 3 matches – 3 marks
- 2 matches – 2 marks
- 1 match – 1 mark

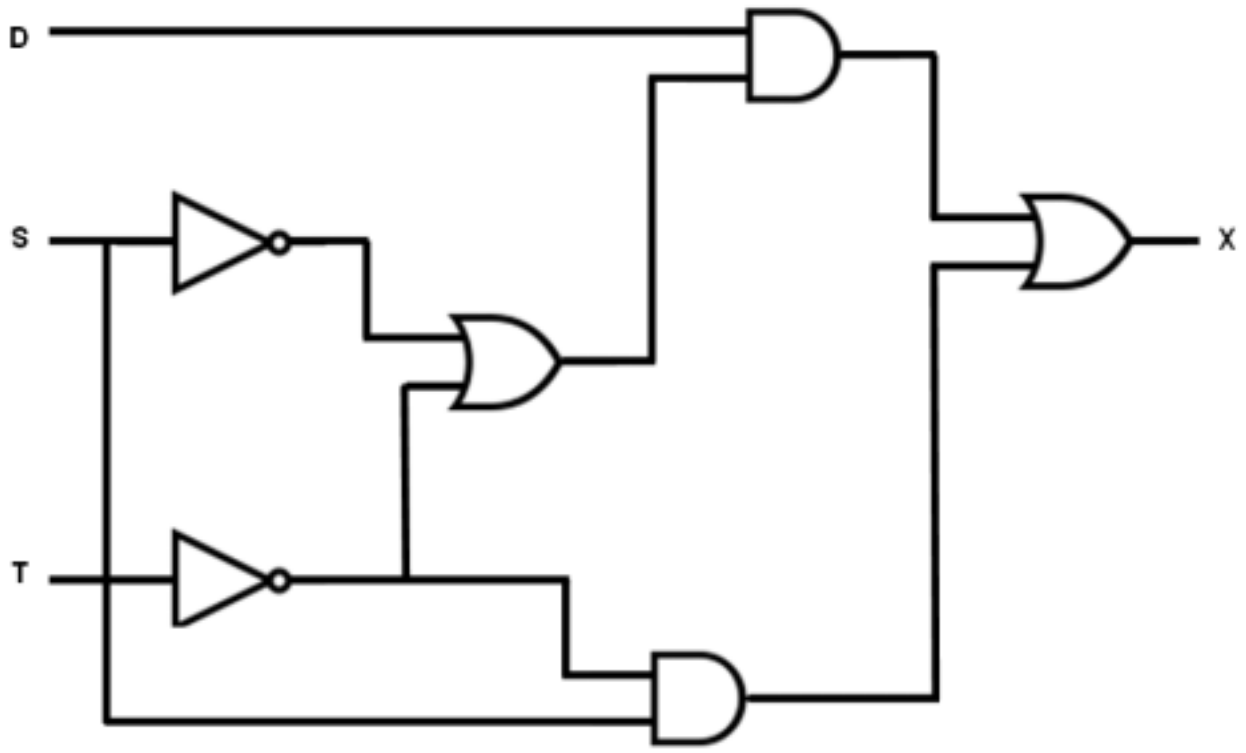
[4]

(b) Any **four** from:

- sensor(s) sends signal/data to microprocessor
- signal/data converted to digital (using an ADC)
- microprocessor compares signal/data with pre-set/stored value
- if sensor(s) signal/data indicates the presence of a person / the door needs to be opened / a match is found / door is closed ...
- ... microprocessor sends a signal to an actuator ...
- ... to operate/drive a motor to open the door

[4]

5 (a) 1 mark for each correct gate, with correct source of input(s)



[6]

(b)

D	S	T	Working Space	X
0	0	0		0
0	0	1		0
0	1	0		1
0	1	1		0
1	0	0		1
1	0	1		1
1	1	0		1
1	1	1		0

4 marks for 8 correct X bits
 3 marks for 6 correct X bits
 2 marks for 4 correct X bits
 1 mark for 2 correct X bits

[4]

Page 6	Mark Scheme	Syllabus	Paper
	Cambridge IGCSE – May/June 2016	0478	13

6 (a) Any **one** from:

- protocol ends in “s”
- use of https

[1]

(b) Any **three** from:

- requests web server to identify itself/view the (SSL) certificate
- receives a copy of the (SSL) certificate, sent from the webserver
- checks if SSL certificate is authentic/trustworthy
- sends signal back to webserver that the certificate is authentic/trustworthy
- starts to transmit data once connection is established as secure
- if website is not secure browser will display an open padlock/warning message

[3]

7 (a) 1 mark for each correct binary value

3

0	0	1	1
---	---	---	---

5

0	1	0	1
---	---	---	---

[2]

(b)

0	0	0	1	→	1	} 1 mark
1	0	0	1	→	9	
0	1	0	0	→	4	
1	1	1	0	→	E	} 1 mark

[2]

Page 7	Mark Scheme	Syllabus	Paper
	Cambridge IGCSE – May/June 2016	0478	13

8 (a) (i) Any **two** from:

- to protect against key logging software/spyware
- can stop key presses being recorded
- can stop key presses being relayed
- drop down boxes cannot be recorded as key presses
- drop down boxes can be placed in different location on the screen each time (to overcome screen capture issues) [2]

(ii) Any **one** from:

- hacker never finds all characters on the first hack
- makes it more difficult for hackers to find the order of the characters
- hacker needs to hack the system several times to gain the whole password
- shoulder surfing will not give person full password [1]

(b) Any **two** from:

- fingerprint scanner
- face recognition software
- retina scanner/iris scanner
- voice recognition software [2]

9 (a) 1 mark for correct check digit and 1 mark for showing the calculation

$$(4 \times 1) + (2 \times 2) + (4 \times 3) + (1 \times 4) + (5 \times 5) + (0 \times 6) + (8 \times 7)$$

$$= 4 + 4 + 12 + 4 + 25 + 0 + 56 = 105$$

$$105/11 = 9 \text{ remainder } 6$$

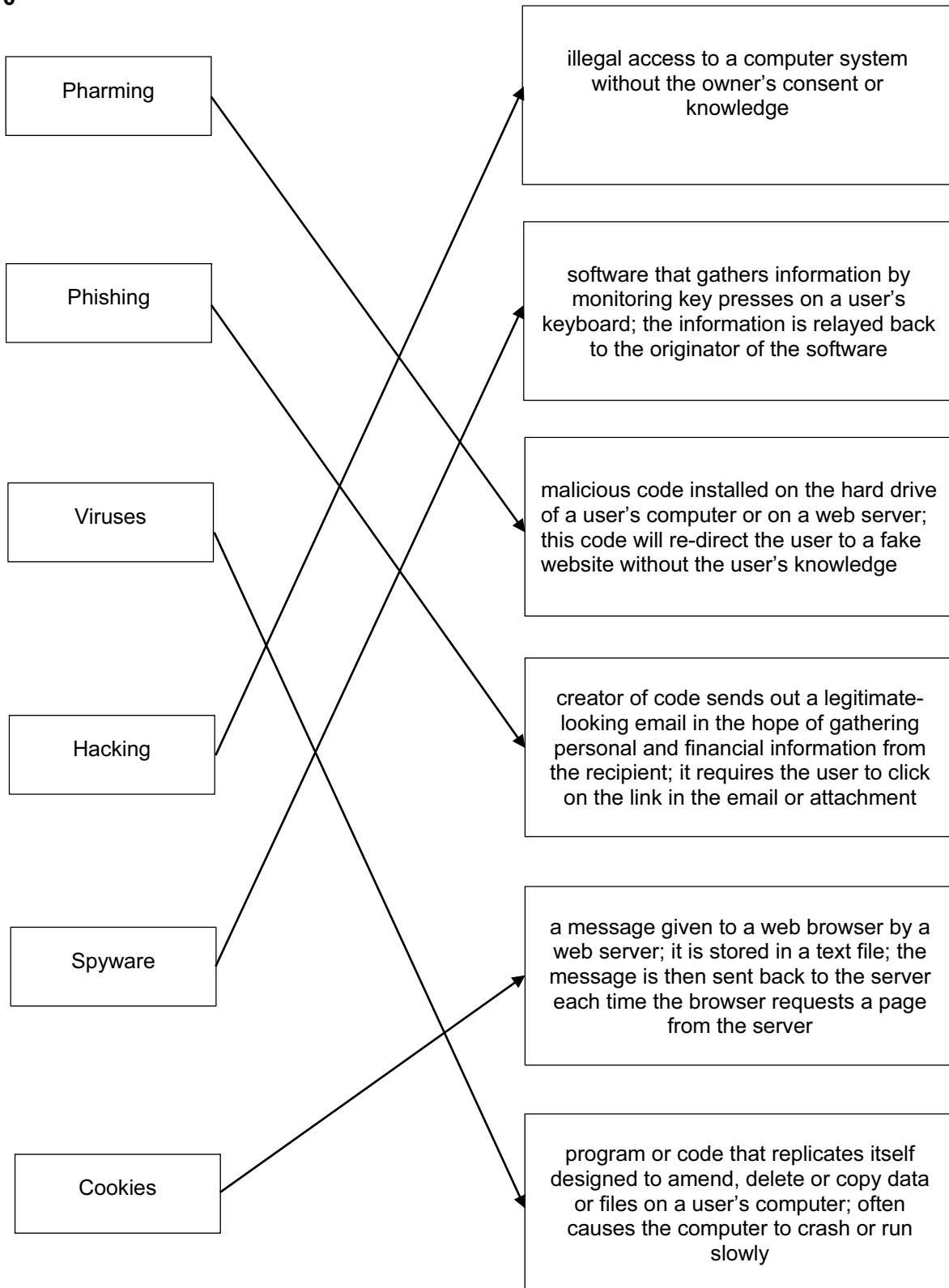
} 1 mark for any correct line of working

check digit is: **6** [2]

(b) **incorrect** check digit [1]

- check digit should be 1
- $(3 \times 1) + (2 \times 2) + (4 \times 3) + (0 \times 4) + (0 \times 5) + (4 \times 6) + (5 \times 7) // 3 + 4 + 12 + 0 + 0 + 24 + 35 //$
Total = 78
- 78/11 gives 7 remainder 1 [2]

10



- 5/6 matches – 5 marks
- 4 matches – 4 marks
- 3 matches – 3 marks
- 2 matches – 2 marks
- 1 match – 1 mark

[5]

11 (a) 1 mark for each correct row

	Single track	Many concentric tracks	Blue laser used to read/write data	Red laser used to read/write data	
DVD-RW	✓			✓	1 mark
DVD-RAM		✓		✓	1 mark
CD-ROM	✓			✓	1 mark
Blu-ray disc	✓		✓		1 mark

[4]

(b) (i) Any **three** from:

- don't need to "get up to speed" to work properly/no latency
- lower/less power consumption/more energy efficient
- run cooler
- run quieter
- data access is faster
- occupies less physical space/more compact
- lighter, so more suitable for a portable computer/laptop
- no moving parts so more reliable/durable in a portable computer/laptop

[3]

(ii) Any **two** from:

- HDD is cheaper for larger amounts of storage space
- HDD has greater longevity for read/write functions
- Expensive to change the technology // HDD are trusted technology
- No requirement for the increased speed of SSD

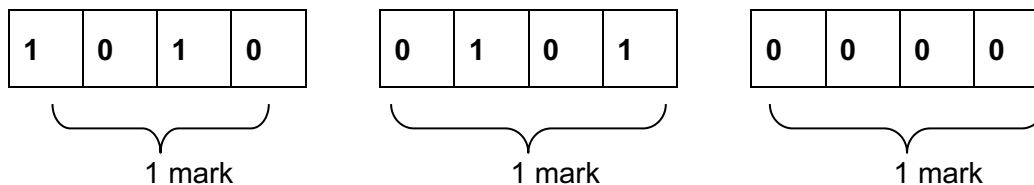
[2]

Page 10	Mark Scheme	Syllabus	Paper
	Cambridge IGCSE – May/June 2016	0478	13

12 (a) QR (quick response) Code

[1]

(b) – A 5 0 (1 mark)



[4]

(c) Any **three** from:

- visitor scans the QR code with (the camera on) the mobile device
- App is used to read/interpret the QR code
- links to a website/opens a document ...
- ... to access local tourist information
- can store the QR code to refer to again for the information

[3]