



UNIVERSITY OF CAMBRIDGE INTERNATIONAL EXAMINATIONS  
International General Certificate of Secondary Education

**PHYSICS**

**0625/12**

Paper 1 Multiple Choice

**October/November 2013**

**45 minutes**

Additional Materials: Multiple Choice Answer Sheet  
Soft clean eraser  
Soft pencil (type B or HB recommended)

\* 1 6 3 7 5 8 5 8 2 0 \*

**READ THESE INSTRUCTIONS FIRST**

Write in soft pencil.

Do not use staples, paper clips, highlighters, glue or correction fluid.

Write your name, Centre number and candidate number on the Answer Sheet in the spaces provided unless this has been done for you.

**DO NOT WRITE IN ANY BARCODES.**

There are **forty** questions on this paper. Answer **all** questions. For each question there are four possible answers **A, B, C** and **D**.

Choose the **one** you consider correct and record your choice in **soft pencil** on the separate Answer Sheet.

**Read the instructions on the Answer Sheet very carefully.**

Each correct answer will score one mark. A mark will not be deducted for a wrong answer.

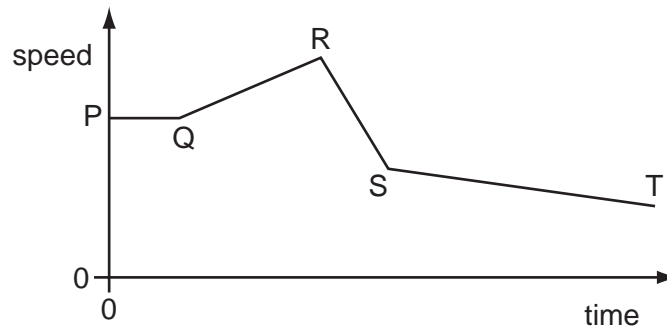
Any rough working should be done in this booklet.

Electronic calculators may be used.

This document consists of **16** printed pages.

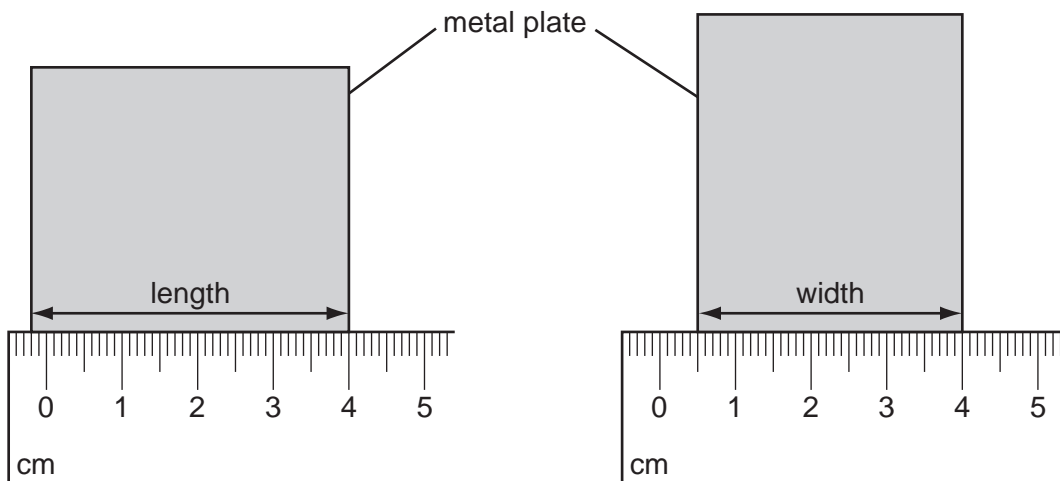


- 1 The diagram shows the speed/time graph for a train as it travels along a track.



For which part of the graph is the train's speed changing at the greatest rate?

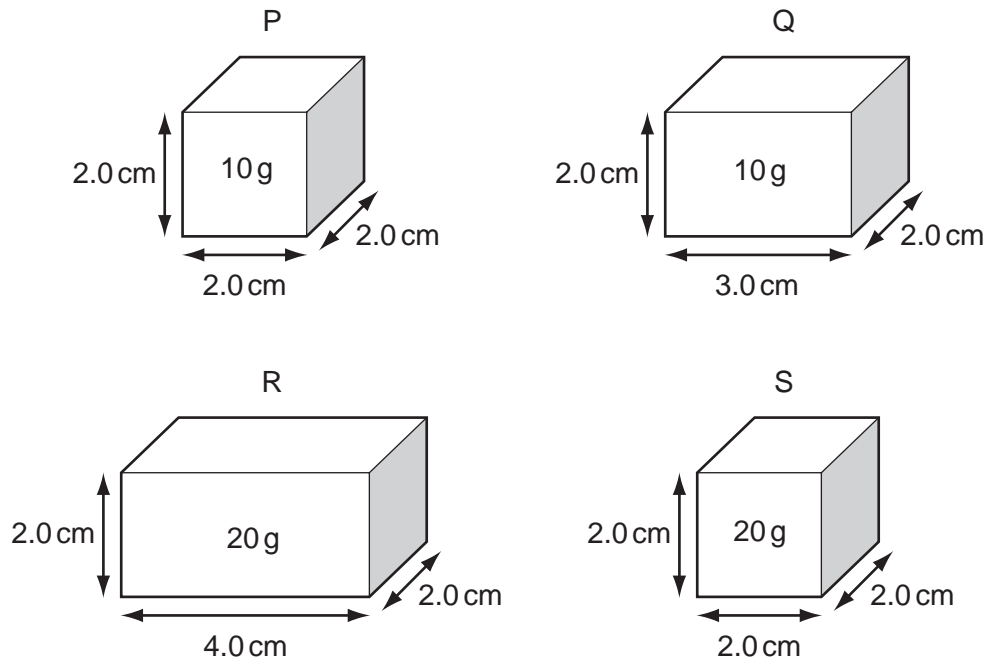
- A** PQ                      **B** QR                      **C** RS                      **D** ST
- 2 A student uses a ruler to measure the length and the width of a small rectangular metal plate.



What is the area of the plate?

- A**  $14.0 \text{ cm}^2$             **B**  $14.7 \text{ cm}^2$             **C**  $16.0 \text{ cm}^2$             **D**  $16.8 \text{ cm}^2$
- 3 A small steel ball is dropped from a low balcony.
- Ignoring air resistance, which statement describes its motion?
- A** It falls with constant acceleration.  
**B** It falls with constant speed.  
**C** It falls with decreasing speed.  
**D** It falls with increasing acceleration.

- 4 Four rectangular blocks, P, Q, R and S are shown. Each block is labelled with its size and its mass.



Which two blocks have the same density?

- A** P and Q      **B** P and R      **C** Q and R      **D** R and S
- 5 Which is the unit for force and which is the unit for weight?

	force	weight
<b>A</b>	kg	kg
<b>B</b>	kg	N
<b>C</b>	N	kg
<b>D</b>	N	N

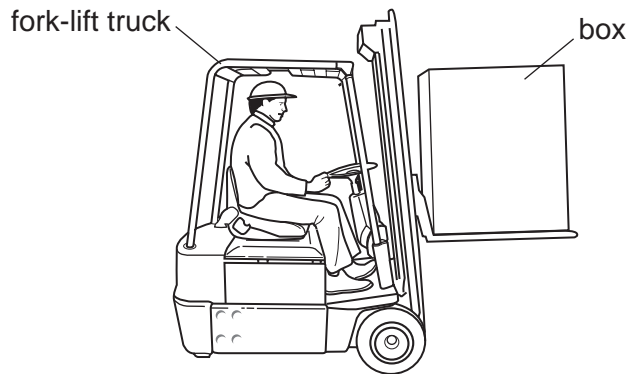
- 6 A cup contains hot liquid.

Some of the liquid evaporates.

What happens to the mass and to the weight of the liquid in the cup?

	mass	weight
<b>A</b>	decreases	decreases
<b>B</b>	decreases	stays the same
<b>C</b>	stays the same	decreases
<b>D</b>	stays the same	stays the same

- 7 A box is being moved by a fork-lift truck. The total weight of the box is 3000 N.



The force exerted by the fork-lift truck on the box is 3500 N upwards.

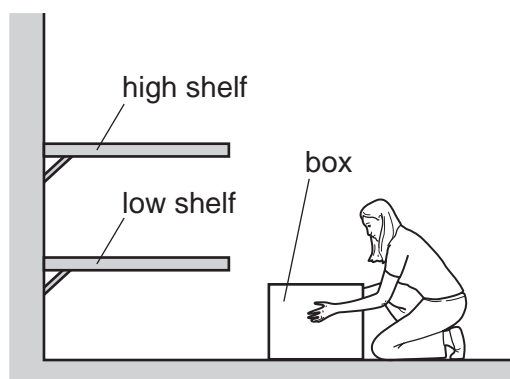
What is the resultant force on the box?

- A 500 N downwards  
 B 500 N upwards  
 C 6500 N downwards  
 D 6500 N upwards
- 8 A force acting on an object causes some properties of the object to change.
- Which list contains **only** properties that can be changed by the action of the force?
- A mass, motion and shape  
 B mass, motion and size  
 C mass, shape and size  
 D motion, shape and size
- 9 Some energy sources are reliably available at all times, and some are not.

Which row shows three sources all in their correct columns?

	available at all times	not available at all times
A	geothermal	nuclear fission, solar
B	geothermal, nuclear fission	solar
C	solar, nuclear fission	geothermal
D	solar	nuclear fission, geothermal

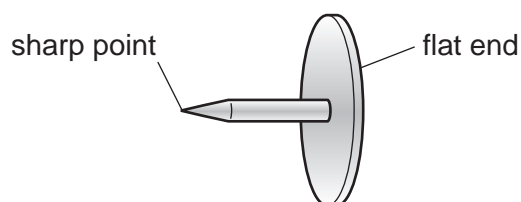
10 A woman in a factory has to lift a box on to a shelf.



Which action involves the woman in doing the **least** amount of work?

- A lifting the box quickly to the high shelf
- B lifting the box slowly to the high shelf
- C lifting the box to the low shelf first then lifting it to the high shelf
- D lifting the box to the low shelf instead of to the high shelf

11 A drawing pin (thumb tack) has a sharp point and a flat end.



The pin is pushed into a wooden board.

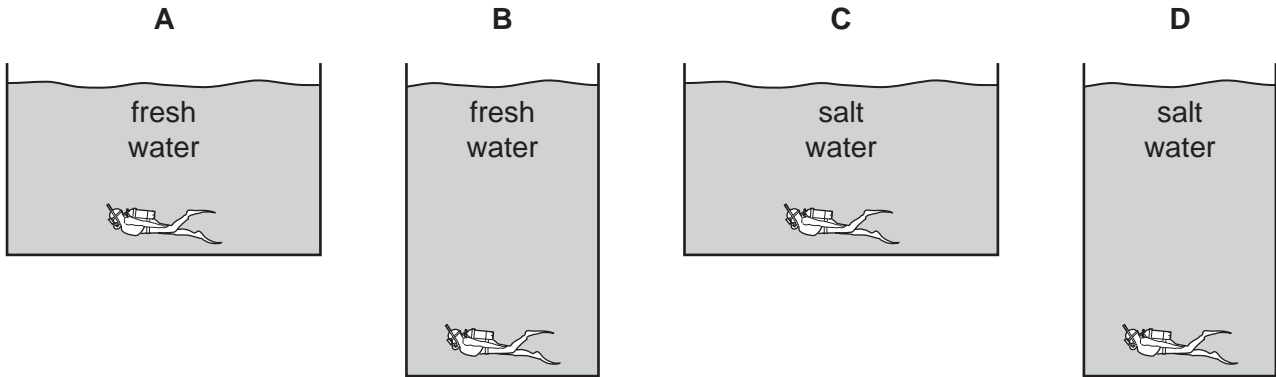
How do the pressure and the force at the sharp point compare with the pressure and the force at the flat end?

	force at the sharp point	pressure at the sharp point
<b>A</b>	greater than at the flat end	greater than at the flat end
<b>B</b>	greater than at the flat end	less than at the flat end
<b>C</b>	the same as at the flat end	greater than at the flat end
<b>D</b>	the same as at the flat end	less than at the flat end

- 12 The diagrams show four divers at the bottom of four different swimming pools.

Two swimming pools contain fresh water and two contain salt water. Fresh water is less dense than salt water.

Which diver feels the least pressure from the water?

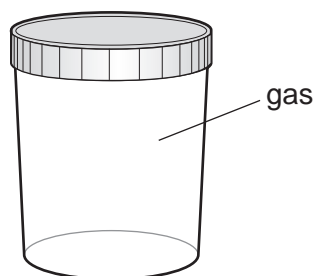


- 13 A block of ice cream is prevented from melting by wrapping it in newspaper soaked in water. The water evaporates from the newspaper.

Which molecules escape from the water and what happens to the average speed of the water molecules that remain in the newspaper?

	escaping molecules	average speed of the remaining water molecules
<b>A</b>	the less energetic ones	decreases
<b>B</b>	the less energetic ones	increases
<b>C</b>	the more energetic ones	decreases
<b>D</b>	the more energetic ones	increases

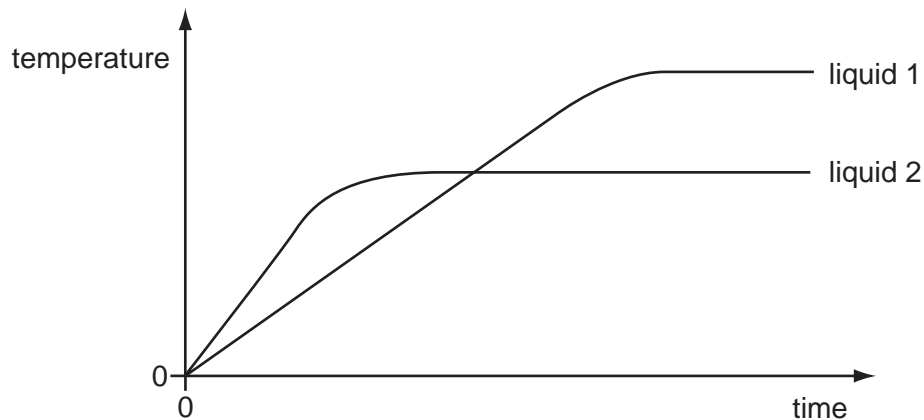
- 14 The diagram shows a sealed jar containing a gas.



Which statement about the gas in the jar is correct?

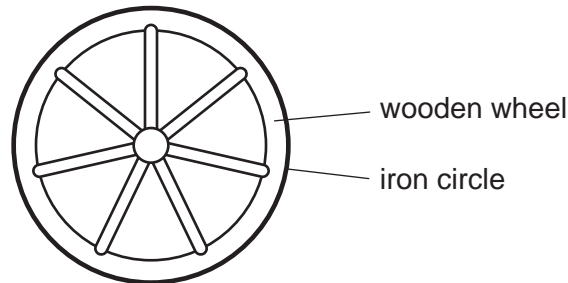
- A** The gas molecules collide with the inside of the jar more often as the temperature increases.
- B** The gas molecules move more slowly as the temperature increases.
- C** The pressure of the gas decreases as the temperature increases.
- D** The pressure of the gas is higher at the top of the jar than at the bottom of the jar.

- 15 Equal masses of two different liquids are heated using the same heater. The graph shows how the temperature of each liquid changes with time.



What does the graph tell us about the liquids?

- A Liquid 1 has a higher melting point than liquid 2.
  - B Liquid 1 has a higher boiling point than liquid 2.
  - C Liquid 1 starts to melt sooner than liquid 2.
  - D Liquid 1 starts to boil sooner than liquid 2.
- 16 A wooden wheel can be strengthened by putting a tight circle of iron around it.

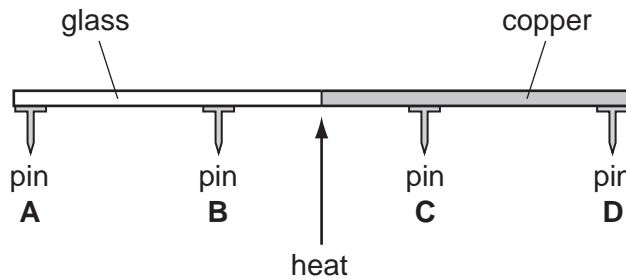


Which action would make it easier to fit the circle over the wood?

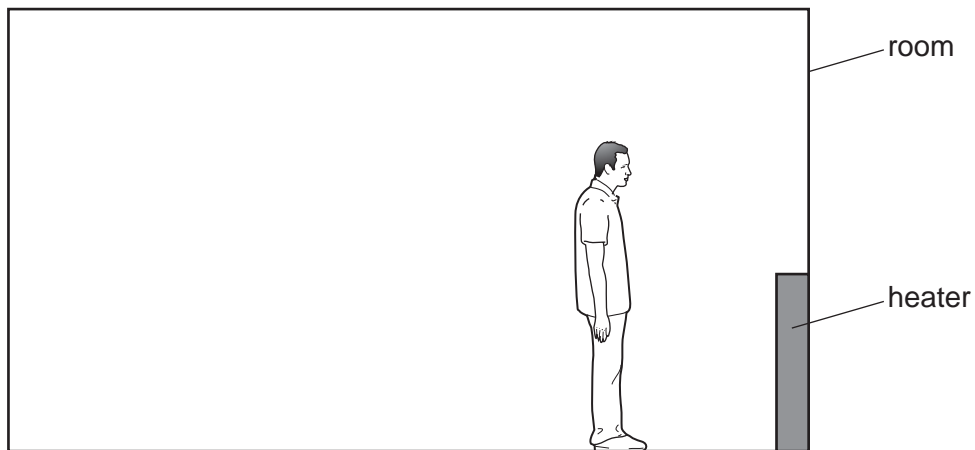
- A cooling the iron circle
- B heating the iron circle
- C heating the wooden wheel and cooling the iron circle
- D heating the wooden wheel but not heating or cooling the iron circle

- 17 A rod is made half of glass and half of copper. Four pins, **A**, **B**, **C** and **D** are attached to the rod by wax. The rod is heated in the centre as shown.

Which pin falls off first?



- 18 A man goes into a cold room and switches on a heater. The man then stands one metre away from the heater. He feels warmer almost immediately.



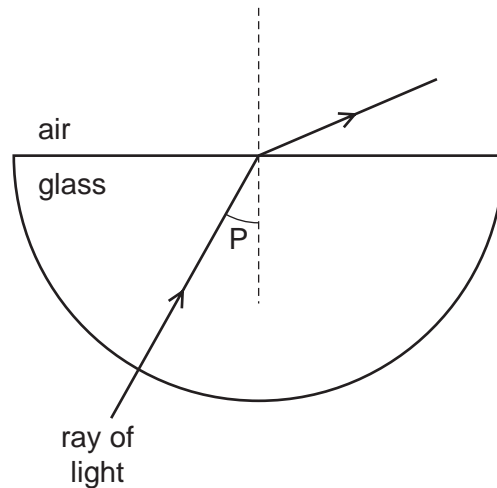
How is thermal energy transferred from the heater to the man so quickly?

- A** by conduction, convection and radiation  
**B** by conduction only  
**C** by convection only  
**D** by radiation only
- 19 Which row shows an example of a transverse wave and an example of a longitudinal wave?

	transverse	longitudinal
<b>A</b>	light	radio
<b>B</b>	radio	sound
<b>C</b>	sound	water
<b>D</b>	water	light



- 20 The diagram shows a ray of light passing through a semicircular glass block into air.



Which row gives the correct name for angle P and states how angle P compares with the critical angle?

	name of angle P	angle P compared with the critical angle
<b>A</b>	angle of incidence	larger than the critical angle
<b>B</b>	angle of incidence	smaller than the critical angle
<b>C</b>	angle of refraction	larger than the critical angle
<b>D</b>	angle of refraction	smaller than the critical angle

- 21 A boy throws a small stone into a pond. Waves spread out from where the stone hits the water and travel to the side of the pond.

The boy notices that eight waves reach the side of the pond in a time of 5.0 s.

What is the frequency of the waves?

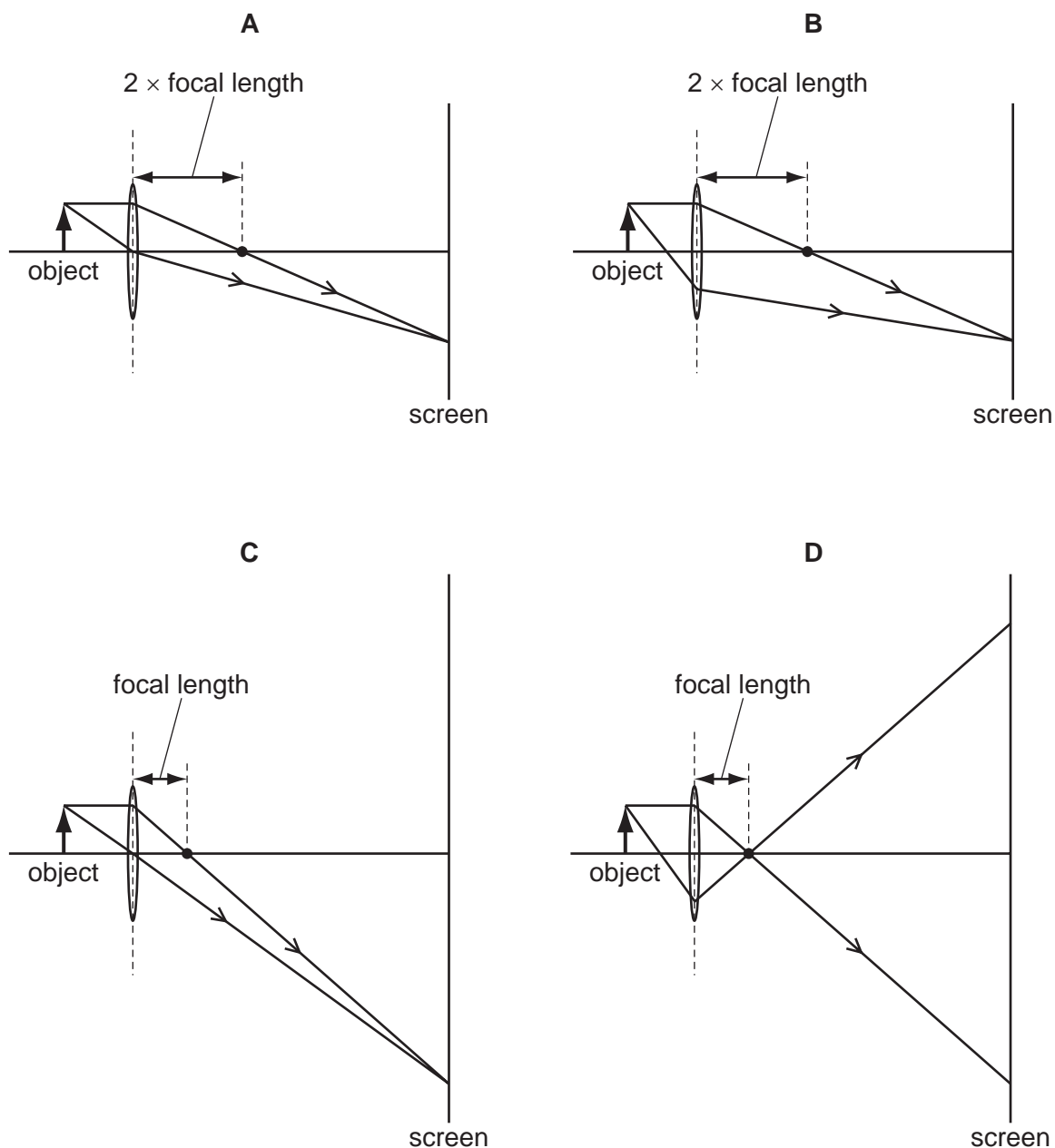
- A** 0.20 Hz      **B** 0.63 Hz      **C** 1.6 Hz      **D** 40 Hz

- 22 The table gives common uses for three types of electromagnetic wave.

Which row correctly identifies the waves?

	satellite television	terrestrial television (not satellite)	television remote controllers
<b>A</b>	infra-red waves	microwaves	radio waves
<b>B</b>	microwaves	radio waves	infra-red waves
<b>C</b>	radio waves	infra-red waves	microwaves
<b>D</b>	radio waves	microwaves	infra-red waves

23 Which diagram shows how an image of an object is formed on a screen by a converging lens?

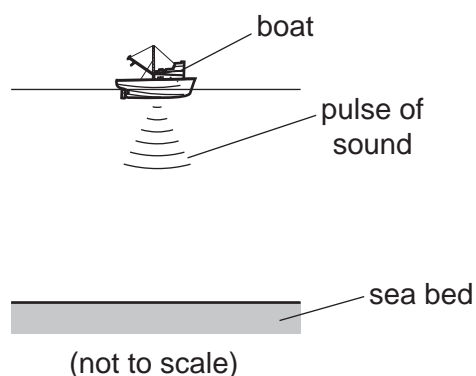


24 When the volcano Krakatoa erupted in 1883, it was heard 5000 km away.

Which statement about the sound from the volcano is **not** correct?

- A If such a loud sound were to be made today, an astronaut orbiting in space (a vacuum) at a height of 400 km could hear it.
- B People further from the volcano heard the sound later than people nearer to the volcano.
- C The amplitude of the sound waves would have been smaller further from the volcano.
- D The sound was very loud because a lot of energy was transferred to vibrations of the air.

- 25 A loudspeaker on a boat produces a pulse of sound in the sea. The echo of the pulse is received back at the boat after 3.0 s. The depth of the sea under the boat is 2250 m.



From this information, what is the speed of sound in the sea water?

- A** 330 m/s      **B** 750 m/s      **C** 1500 m/s      **D** 6750 m/s
- 26 How can a permanent magnet be demagnetised?
- A** cool the magnet for a long time
- B** hit the magnet repeatedly with a hammer
- C** leave the magnet in a coil which is connected to a battery
- D** shine bright light onto the magnet
- 27 A hard magnetic material can be used to make a permanent magnet.

A soft magnetic material can be used to make a temporary magnet.

Which row shows whether iron and steel are hard or soft magnetic materials?

	iron	steel
<b>A</b>	hard	hard
<b>B</b>	hard	soft
<b>C</b>	soft	hard
<b>D</b>	soft	soft

- 28 Which equation can be used to calculate the resistance  $R$  of a resistor?

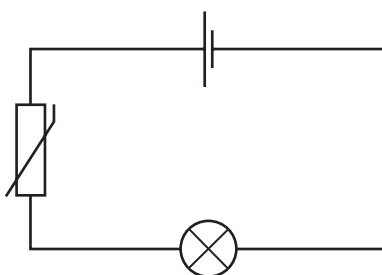
- A**  $V = I \div R$       **B**  $I = V \times R$       **C**  $R = V \times I$       **D**  $V = I \times R$

- 29 A student wishes to measure first the electromotive force (e.m.f.) of a battery, and then the potential difference (p.d.) across a resistor.

She has the resistor, the battery and some connecting wires.

What else does she need?

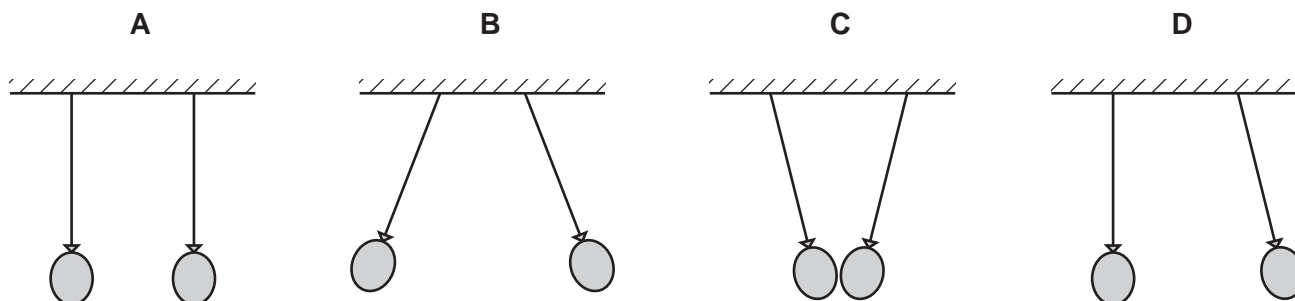
- A a force meter (newton meter) and a voltmeter  
 B an ammeter and a voltmeter  
 C an ammeter only  
 D a voltmeter only
- 30 When the thermistor in the circuit below is heated, the current in the lamp increases.



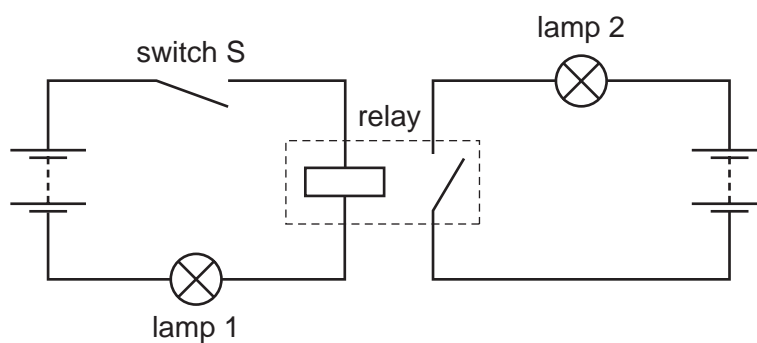
Why does this happen?

- A The resistance of the lamp decreases.  
 B The resistance of the lamp increases.  
 C The resistance of the thermistor decreases.  
 D The resistance of the thermistor increases.
- 31 Two similar balloons hang side by side, on insulating threads, a short distance apart. They are both rubbed with the same dry cloth and become charged.

Which diagram shows how the balloons hang after charging?



- 32 The circuit shown contains a relay. Both lamps are initially off.



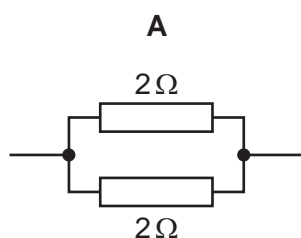
When switch S is closed, the relay operates. What is the state of the lamps?

	lamp 1	lamp 2
<b>A</b>	on	on
<b>B</b>	on	off
<b>C</b>	off	on
<b>D</b>	off	off

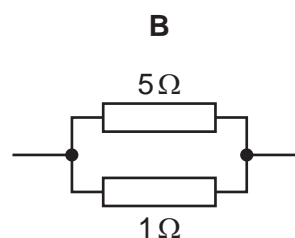
- 33 A student connects various resistors in parallel pairs.

Underneath each diagram is a statement about the total resistance of each pair of resistors.

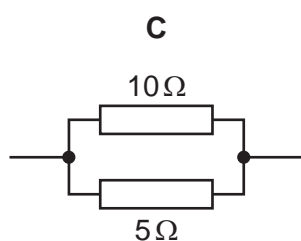
Which statement is correct?



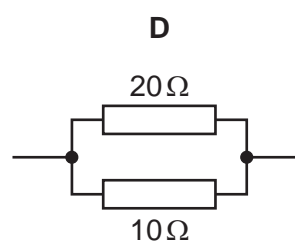
The total resistance is  $4\ \Omega$ .



The total resistance is between  $1\ \Omega$  and  $5\ \Omega$ .

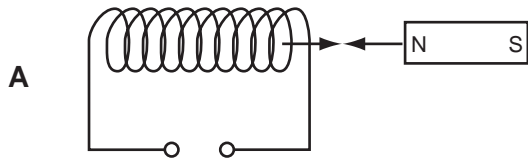


The total resistance is less than  $5\ \Omega$ .

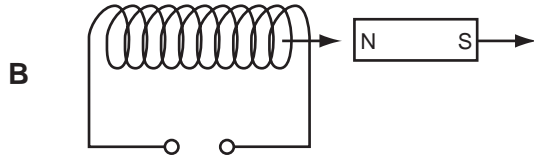


The total resistance is more than  $20\ \Omega$ .

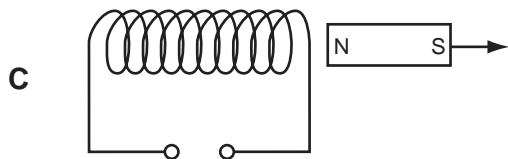
34 Which diagram shows a movement that will **not** produce the changing magnetic field needed to induce an e.m.f. in the coil?



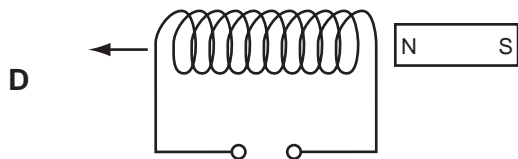
moving a magnet and a coil towards each other at the same speed



moving a magnet and a coil in the same direction at the same speed

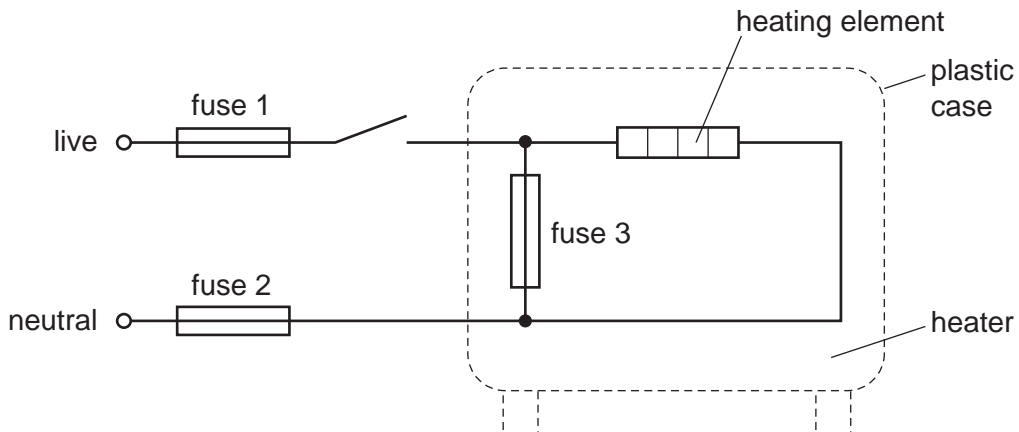


moving a magnet away from a fixed coil



moving a coil away from a fixed magnet

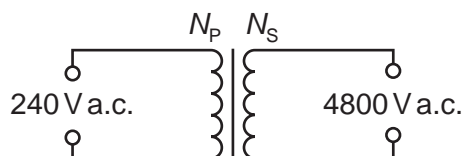
35 The diagram shows the connections to an electric heater. Three fuses have been added to the circuit.



Which of the fuses are correctly placed?

- A** fuse 1, fuse 2 and fuse 3
- B** fuse 1 and fuse 2 only
- C** fuse 1 only
- D** fuse 2 only

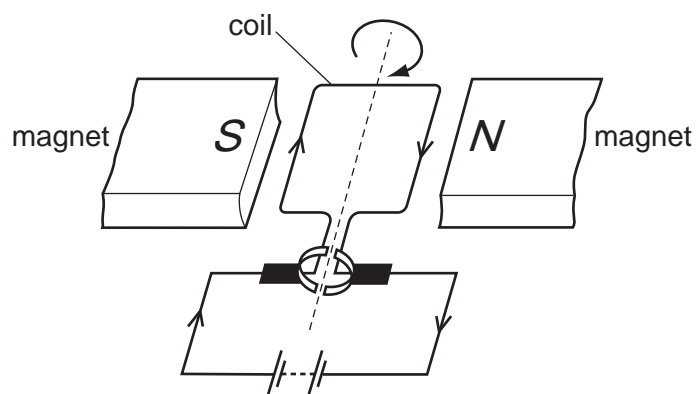
- 36 A transformer is needed to convert a supply of 240 V a.c. into 4800 V a.c.



Which pair of coils would be suitable for this transformer?

	number of turns on primary coil $N_p$	number of turns on secondary coil $N_s$
<b>A</b>	50	1000
<b>B</b>	240	48 000
<b>C</b>	480	24
<b>D</b>	2000	100

- 37 The diagram shows a simple d.c. electric motor which is rotating.



Which change will make the motor rotate more quickly?

- A** increasing the number of turns on the coil
- B** removing the magnets
- C** reversing the battery
- D** reversing the polarity of the magnets

- 38 A radioactive substance emits a particle from the nucleus of one of its atoms. The particle consists of two protons and two neutrons.

What is the name of this process?

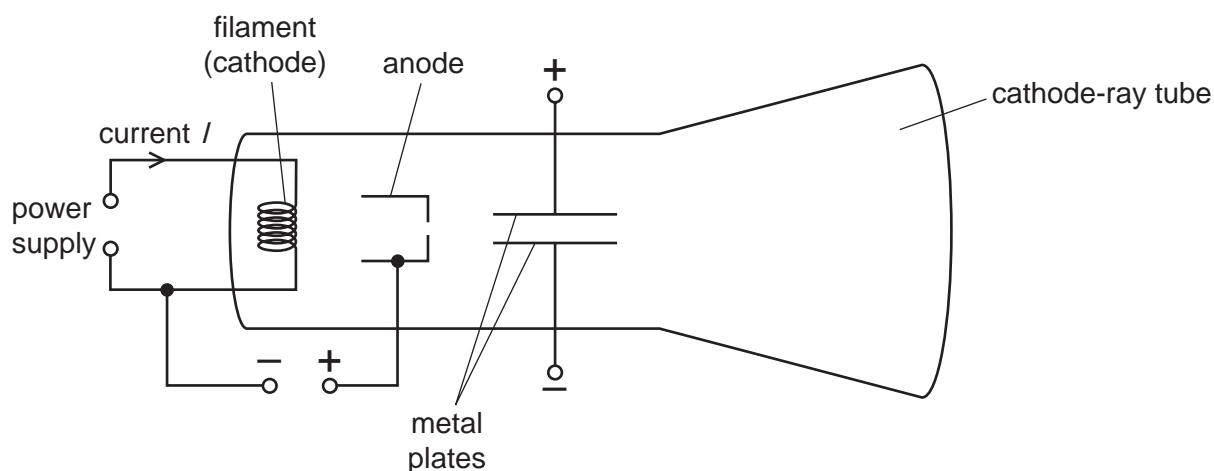
- A  $\alpha$ -emission
- B  $\beta$ -emission
- C  $\gamma$ -emission
- D nuclear fission

- 39 A nucleus X has 17 protons and 18 neutrons.

Which notation is correct for this nucleus?

- A  ${}_{18}^{17}\text{X}$
- B  ${}_{35}^{17}\text{X}$
- C  ${}_{17}^{18}\text{X}$
- D  ${}_{17}^{35}\text{X}$

- 40 The diagram shows a cathode-ray tube used to produce cathode rays.



Which change would increase the deflection of the cathode rays?

- A decreasing the current  $I$  in the filament
- B increasing the current  $I$  in the filament
- C increasing the potential difference between the filament and the anode
- D increasing the potential difference between the metal plates